

NEW

EASY TO MAKE LONG BAGUETTE & LARGE LOAF BREAD

Variety Molder

with Motor Driven Press Board

VR511

The divided dough is sheeted and formed into perfect rolls, when connected to the Rheon V4-Twin Divider. A wide variety of shapes and sizes can be achieved; such as Baguettes, Demi Baguette, Loaf & Pan Breads, by continuously rolling the dough to the desired length and width.

- *Automated forming with the Variety Molder makes production more efficient by saving TIME and LABOR cost*
- *"Motorized Belt" Press Board increases revolutions in an effective way to make a variety of high-quality bread sizes with variable tensions*



① Molder



② Curl Net



③ Motor Driven Press Board

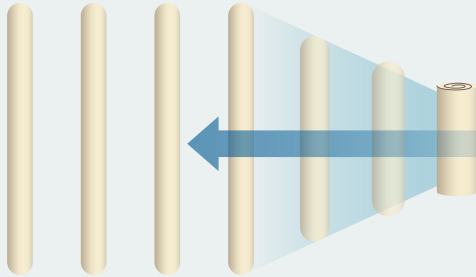


1-Row



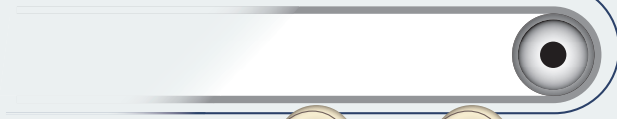
2-Row

Motor Driven Press Board Production Image



Belt speed differential between Press Board and Variety Molder creates efficient roll forming in a short distance

Press Board Belt Direction
Belt Speed: 75m/min (Max)



Dough Flow

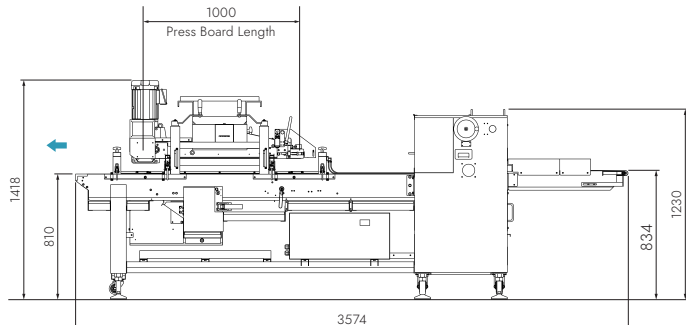
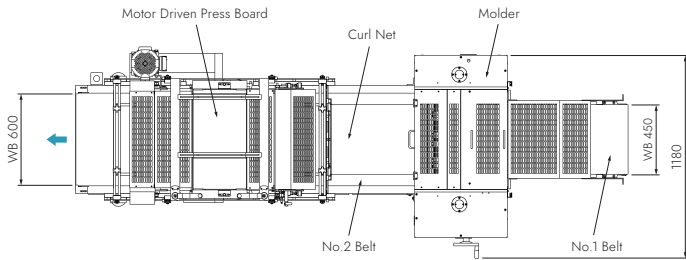
Variety Molder No.2 Belt Direction
Belt Speed: 75m/min (Max)

Product Variations



Dimensions

(Unit : mm)



Example Layout

Line can make a variety of breads including ciabatta, loaf bread, and boule (round shape)



Variety Molder with Motor Driven Press Board

Punch Rounder

V4-Twin Divider VX222

Specifications

VR511		
Length		3575 mm
Width		1368 mm
Height		1418 mm
Weight		900 kg
Voltage/Current		3-phase 220 V, 17.3 A
Electric Capacity	Variety Molder	3.12 kW
	Press Board	1.5 kW
Press Board Length		1000 mm
Belt Speed	No.1 Belt	36 m/min(Max.)
	No.2 Belt	75 m/min(Max.)
	Press Board	75 m/min(Max.)

*All electric parts are UL approved. *Designed to meet FDA regulations.

The specifications are subject to change without notice and without obligation.

All Rights Reserved. Reproduction, adaptation or translation without prior written permission is prohibited.



RHEON AUTOMATIC MACHINERY CO., LTD.

Head Office: 2-3 Nozawa-machi, Utsunomiya 320-0071, Japan
Phone: 028-665-1111 Fax: 028-665-3346 E-mail: info@rheon.com
URL: https://www.rheon.com

RHEON U.S.A.

2 Doppler, Irvine, CA 92618, U.S.A.
Phone: 949-768-1900 Fax: 949-855-1991 E-mail: us.info@rheon.com
URL: http://www.rheonusa.com

RHEON U.S.A. NJ BRANCH

700 Huyler Street Teterboro, NJ 07608, U.S.A.
Phone: 201-487-0600 Fax: 201-487-0610 E-mail: us.east@rheon.com

RHEON AUTOMATIC MACHINERY GmbH

Tiefenbroicher Weg 30, 40472 Düsseldorf, Germany
Phone: 0211-471950 Fax: 0211-424129 E-mail: de.info@rheon.com
URL: https://www.rheon-europe.com

RHEON AUTOMATIC MACHINERY GmbH ULM BRANCH

Saumweg 30, 89257 Illertissen, Germany
Phone: 07303-1599410 Fax: 07303-15994111 E-mail: de.info@rheon.com
RHEON AUTOMATIC MACHINERY CO., LTD. TAIWAN BRANCH
5F., No.118, Xiniu 1st Rd., Neihu District, Taipei City, Taiwan (R.O.C.)
Phone: 02-2792-3525 Fax: 02-2792-3529 E-mail: tw.info@rheon.com
RHEON AUTOMATIC MACHINERY CO., LTD. SHANGHAI OFFICE
ROOM30, 5F G1FCII, 1438Hongqiao Road, changning District, Shanghai
Phone: 86-21-61976378 Fax: 86-21-61976380

© RHEON AUTOMATIC MACHINERY 2022

No.S-FCVR-002-2B 2303500P (アメリカ・英)