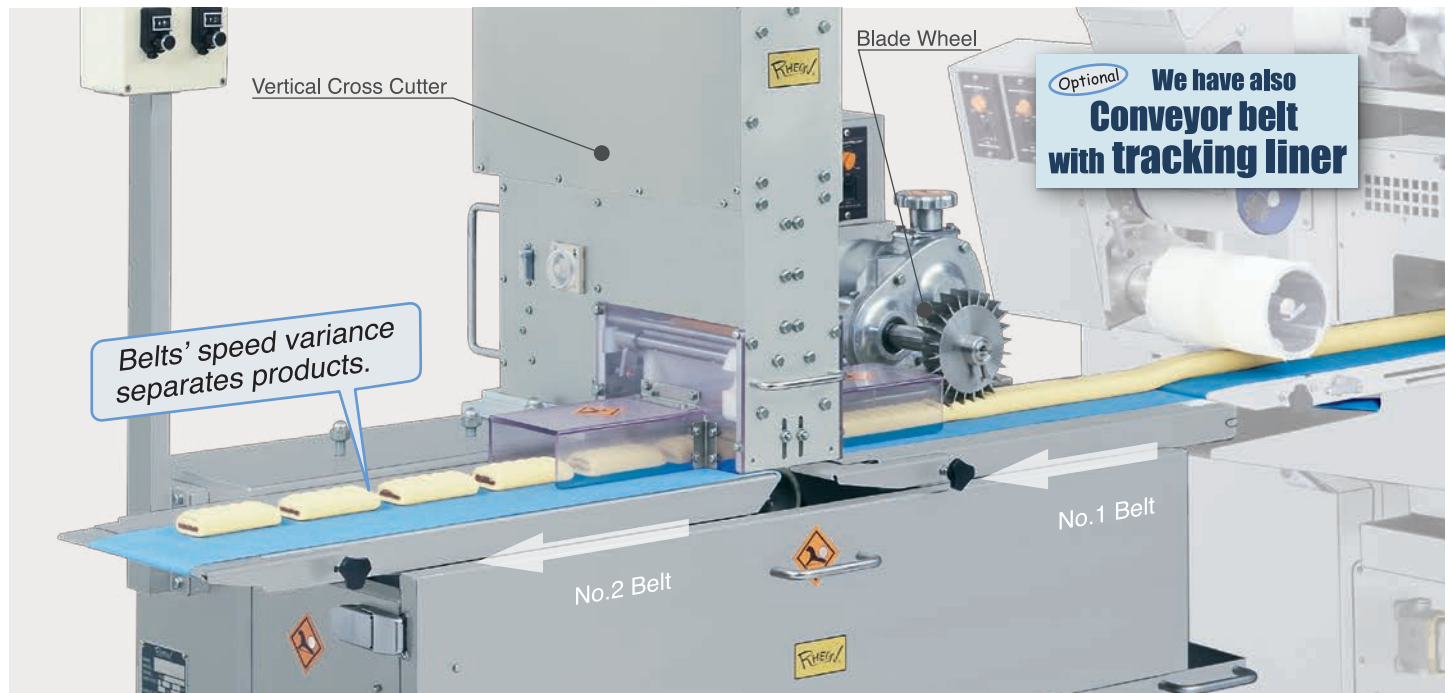


Model Code : UC303

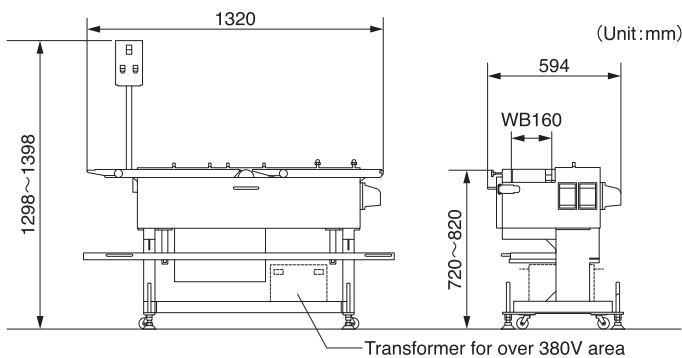
Forming Unit Conveyor

The Washable body helps sanitary production environment.

● This conveyor does secondary shaping with optional devices. With a combination of the options, it performs a variety of secondary shaping of products made on Rheon Encrusting Machines. ● Up to 3 optional devices are selectable. ● At the use of Vertical Cross Cutter, separation of sliced pieces are made by the speed difference between the belts No.1 and No.2. ● Conveyor belts, plates, and rollers are easily removable for cleaning. Besides, the washable body creates a sanitary production environment.



Dimensions



Specifications

| Model Code | UC303 | |
|---------------------|---|----------------|
| Total Length | | 1320 mm |
| Total Width | | 594 mm |
| Total Height | | 1298 - 1398 mm |
| Belt Speed | 1.0-17 m/min. (Common for No.1 & No.2 belt) | |
| Electrical Capacity | | 0.18 kW |

▲ Example of shaping options

The picture is an operation image of the options. The actual machine overview on operation may differ with the safety covers on the options.



The specifications are subject to change without notice and without obligation.

All Rights Reserved. Reproduction, adaptation or translation without prior written permission is prohibited.

RHEON AUTOMATIC MACHINERY CO., LTD.
 Head Office: 2-3 Nozawa-machi, Utsunomiya 320-0071, Japan
 Phone: 028-665-1111 Fax: 028-666-1013 E-mail: info@rheon.com
 URL: http://www.rheon.com

RHEON U.S.A.
 2 Doppler, Irvine, CA 92618, U.S.A.
 Phone: 949-768-1900 Fax: 949-855-1991 E-mail: us.info@rheon.com
 URL: http://www.rheonusa.com

RHEON U.S.A. NJ BRANCH
 375 North Street, Unit K, Teterboro, NJ 07608, U.S.A.
 Phone: 201-487-0600 Fax: 201-487-0610 E-mail: us.east@rheon.com

RHEON AUTOMATIC MACHINERY GmbH
 Tiefenbroicher Weg 30, 40472 Düsseldorf, F.R.Germany
 Phone: 0211-471950 Fax: 0211-424129 E-mail: de.info@rheon.com
 URL: http://www.rheon-europe.com

RHEON GmbH ULM BRANCH
 Saumweg 30, 89257 Illertissen, F.R. Germany
 Phone: 07303-1599410 Fax: 07303-15994111 E-mail: ulm@rheon.com
RHEON AUTOMATIC MACHINERY ASIA PACIFIC CO., LTD.
 3F., No.180, Xinhua 2nd Rd., Neihu District, Taipei City 114 Taiwan (R.O.C.)
 Phone: 02-8791-2227 Fax: 02-8791-1295 E-mail: tw.info@rheon.com
RHEON AUTOMATIC MACHINERY CO., LTD. SHANGHAI OFFICE
 ROOM30,5F G1FCII,1438Hongqiao Road, changning District, Shanghai
 Phone: 86-21-61976378 Fax: 86-21-61976380